

YASKAWA

MOTOMAN GP50

Handling & General Applications
with the GP-series

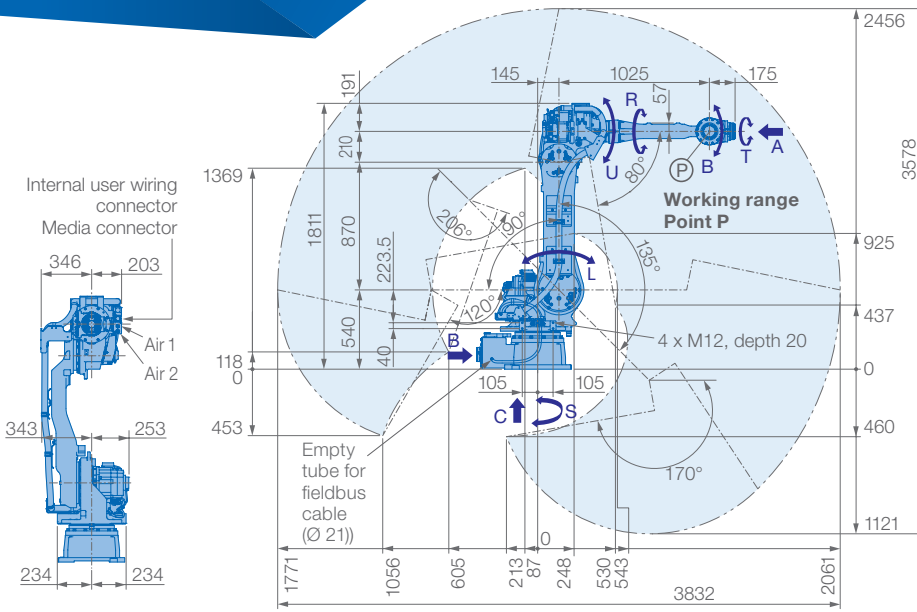


The MOTOMAN GP50 is a versatile, high speed 6-axis robot offering superior performance in material handling, machine tending, processing and dispensing applications.

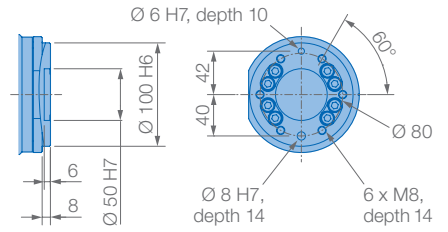
Due to its compact design, the GP50 can be placed close to machines for loading and unloading of parts.

KEY BENEFITS

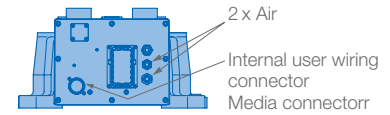
- Fast, flexible and reliable
- Ideal for a variety of applications, multi-purpose robot
- Robot with sleek design that requires minimal installation space
- 50 kg payload



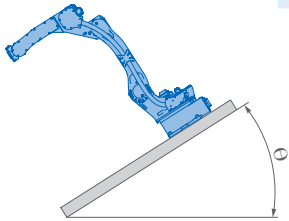
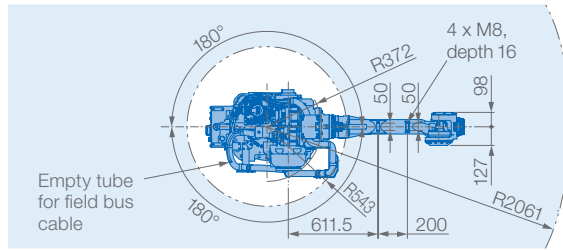
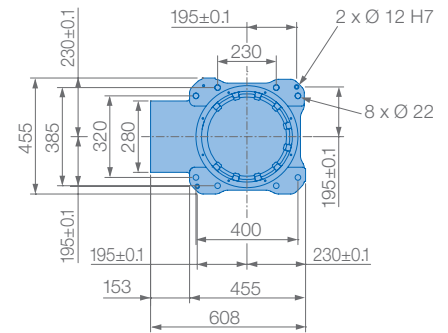
View A



View B

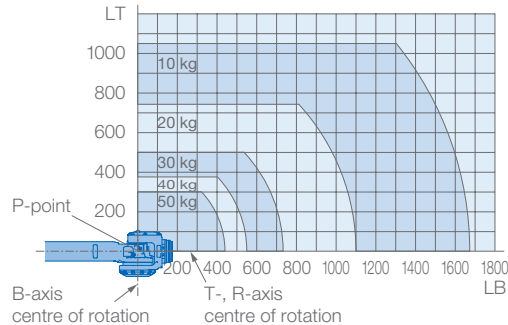


View C



Robot installation angle θ [deg.]	S-axis operating range [deg.]
$0 \leq \theta \leq 30$	± 180 (Standard)
$30 < \theta \leq 35$	± 60
$35 < \theta \leq 45$	± 45
$45 < \theta$	± 30

Allowable wrist load



Mounting options: Floor, ceiling, wall, tilt*

Protection class version YR-1-06VX50-A00
Standard: Main axes (S, L, U) IP54, wrist IP67

Protection class version YR-1-06VX50-C00:
Main axes (S, L, U) IP65, wrist IP67

Please notice wall mounting option:
 $\pm 30^\circ$ S-axis limit

Please notice ceiling mounting option:
Please notice working range of B-axis

Please notice tilted robot:
 $0^\circ - 90^\circ$ limitation of S-axis, details on request

* tilt with condition of angle – see table left side

Specifications GP50						
Axes	Maximum motion range [°]	Maximum speed [°/sec.]	Allowable moment [Nm]	Allowable moment of inertia [kg · m ²]	Controlled axes	6
S	± 180	180	–	–	Max. payload [kg]	50
L	$+135/-90$	178	–	–	Repeatability [mm]	± 0.03
U	$+206/-80$	178	–	–	Max. working range R [mm]	2061
R	± 360	250	216	28	Temperature [°C]	0 to +45
B	± 125	250	216	28	Humidity [%]	20 – 80
T	± 360	360	147	11	Weight [kg]	570
					Power supply, average [KVA]	4.0

Yaskawa Europe GmbH

Robotics Division
Yaskawastraße 1
85391 Allershausen
Germany

Tel. +49 (0) 8166 90-0
robotics@yaskawa.eu.com
www.yaskawa.eu.com

YR-1-06VX50-A00, YR-1-06VX50-C00
C-10-2020, A-No. 195930